

Eliminates Low-Power RV A/C Starting Problems and Protects Against Power Surge Damage



Plug & Play Soft Start and Surge Protector for RVs



The **SoftStartUp All-in-One Soft Start and Surge Protector** solves two of the biggest problems in RV power management – *low-power A/C startups* and *whole-RV surge protection*.

KEY BENEFIT #1 By reducing the power required to start A/Cs by up to 50%, the SoftStartUp module lets RV owners easily use two A/Cs and run other appliances on a standard 30-amp hookup.

KEY BENEFIT #2 Specially integrated surge protection circuitry with continuous monitoring and mobile app connectivity give RV owners complete control to manage power usage safely and efficiently.

Perhaps best of all, only one unit is needed for the entire RV, and it is “plug & play” ready – no crawling onto RV rooftops or time-consuming installation is needed. And they don’t have to buy a soft starter for each A/C unit – just one SoftStartUp handles everything.

INCLUDES
15-AMP PLUG-IN ADAPTER
for household connection



RV POWER INNOVATION BREAKTHROUGH

SOFTSTARTUP FEATURES & ADVANTAGES



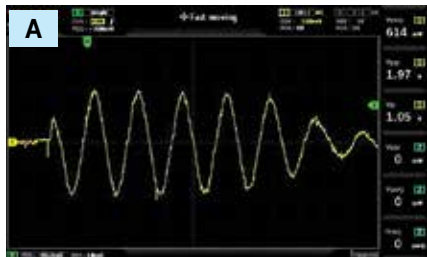
- 115 VAC, 30 amp connection
- Input LEDs indicate properly powered source
- Large loop offers ample grip for easy removal
- Commercial grade for heavy-duty use
- Anti-theft locking loop secures to power source
- Soft start circuitry delivers 50% inrush current reduction during A/C and other inductive-load appliance startups
- Surge protection up to 2100 joules
- Continuous monitoring of electrical power usage throughout RV
- Power tracking reset to monitor use at separate hookup locations
- Diagnostic circuitry senses and records voltage and current conditions
- Auto shutdowns and restarts are activated after repeated alert events
- Data is sent to the SoftStartUp mobile app for under voltage, over voltage and over current events
- Mobile app is Bluetooth-enabled and compatible with iOS and Android devices
- Waterproof, UV-proof module resists weather extremes
- Output power LED indicates when the outlet has “live” power for the RV
- Large loop offers ample grip for easy removal
 - Commercial grade for heavy-duty use
 - Rated for 30-amp RV power connection



PERFORMANCE DETAILS

SOFT START CAPABILITIES

Sharply reduces start-up power demand of appliances that require a high inductive load at startup (such as air conditioners and microwave ovens). SoftStartUp reduces the startup power demand by up to 50%.



Graph A (at left) indicates start-up power use of a typical RV air conditioner. The continuous high spikes at STARTUP mean the A/C is pulling over 4 times the power normally needed to RUN the A/C. This can cause A/C to stall out and overheat compressor windings.



Graph B (at left) indicates startup of a typical RV air conditioner receiving power through a SoftStartUp module. The power spikes are quickly reduced to eliminate stalled A/C, RV power cutoff, premature A/C compressor failure, and other problems associated with A/C startup.

POWER SURGE CAPABILITIES

Unexpected surges in RV park-provided electrical power can occur due to utility provider issues, weather, or other problems. For 30-amp connections, a SoftStartUp module offers premium protection for power bursts up to 2100 joules. This feature alone can pay for itself in savings on damaged appliances that may result when an unexpected surge occurs.

POWER SAFETY AND MANAGEMENT CAPABILITIES

Overload Protection – Because a 30-amp breaker may not trip until a much higher amperage is reached, SoftStartUp incorporates a current limiter to protect an RV from such potentially damaging variances.

Under-Voltage Protection – If incoming voltage drops below 104 VAC, a SoftStartUp will not allow the A/C to start on such low voltage. Lower voltage means a high current demand which can overheat the cables and trip the breaker. After the protective shutdown, an Auto Restart will occur after 3 minutes.

Over-Voltage and Over-Current Protection – If an RV is running over 30 amps for a continuous time (5-10 minutes), the SoftStartUp will cut power to prevent overheating the RV's electrical system. After the protective shutdown, an Auto Restart will occur after 3 minutes.

Mobile App Monitoring – The SoftStartUp Mobile App allows the RV owner to monitor electrical power usage. Because it shows both “real time” and total usage, this app helps the RV owner not only monitor how much power is being used, it can also help determine if any specific appliance may be causing interrupted power issues. The app measures:

- Current (Amps)
- Resettable Energy (kW/h)
- Voltage (Volts)
- Nonresettable Energy (kW/h)

If an RV owner wants to compare how much power is used at different locations, the Resettable Energy app function lets the RVer record the power used at one location before resetting the SoftStartUp to use at the next location.

INSTALLATION / OPERATION

PLUG & PLAY – EXCLUSIVE SOFTSTARTUP TECHNOLOGY

1. Plug the unit into a 30-amp power pedestal or other power generator.
2. Allow self-diagnostic function to determine correct polarity. If Input LED is green only, then the source power is ready to use.

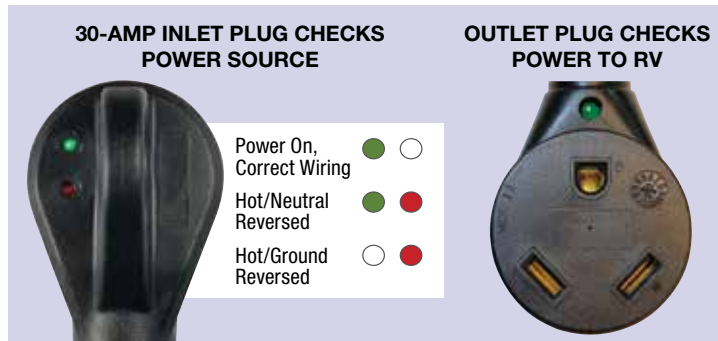
INSTALLATION / OPERATION (continued)

3. After 45-60 seconds, the green Output LED will indicate when there is “live” power for the RV.

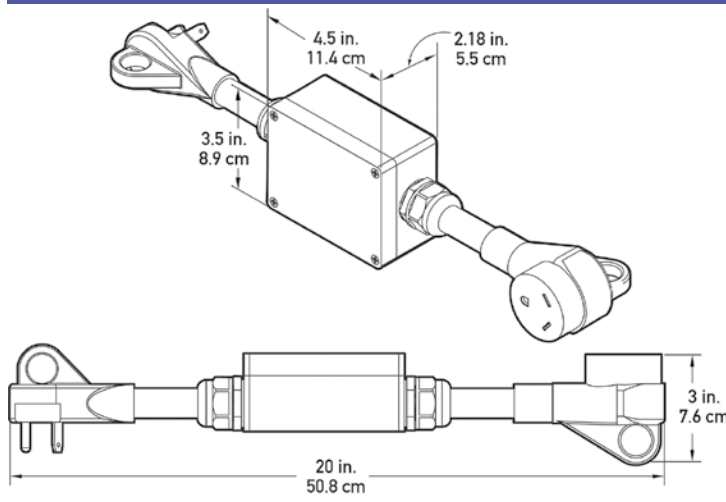
NOTE: Some SoftStartUp units may not include a green Output LED.

4. Plug the RV power cord into the SoftStartUp outlet.

If the green Output LED shuts off and power to the RV is off, that indicates a Power Alert related to Current or Voltage has occurred. The Mobile App will show the cause of the shutdown.



DIMENSIONS



TECHNICAL SPECIFICATIONS

Model number:	SSUP30
Voltage:	104-125 VAC, 50-60 Hz
Amp Rating:	30 Amps
Surge Protection:	2100 Joules
Working temperature:	-4°F to 176°F (-20°C to 80°C)
Humidity:	5 - 95%
Dimensions:	20”h x 3.5”w x 3”d (50.80 cm x 8.89 cm x 7.62 cm)
Weight:	2.1 lb. (0.95 kg)
Warranty:	One-year limited warranty (standard); Two-year limited warranty available (FREE with online registration)
Package Contents:	SSUP30 SoftStart + Surge Suppressor Anti-Theft Locking Loop (built-in) 30-amp to 115 VAC adapter cord Product instructions Mobile app instructions



SoftStartUp Mobile App for iOS and Android devices is available at popular app stores.

Specifications are subject to change without notice.



a product of
SoftStartUSA

Patent Pending. Made In USA
Copyright © 2022 SoftStartUSA, Florida, USA. All rights reserved.
Form No. SSUP30SPCS 6/22